

JIB CRANE PRICE LIST 2010

Contents:

- 1) Profile Track Dimensions
- 2) Track Profile Floor Mounted Prices
- 3) Track Profile Wall Mounted Prices

- 4) Under-Braced I-Beam Dimensions
- 5) Under-Braced I-Beam Floor Mounted Prices
- 6) Under-Braced I-Beam Wall Mounted Prices

- 7) Over-Braced I-Beam Dimensions
- 8) Over-Braced I-Beam Floor Mounted Prices
- 9) Over-Braced I-Beam Wall Mounted Prices

- 10) Large Base Dimensions
- 11) Anchor Frame Dimensions
- 12) Wall / Column Mounting Bracket Kit Dimensions

Niko Ltd reserve the right to change any prices or descriptions without prior notice. All items supplied in accordance with the Niko Ltd 2007 terms & conditions.

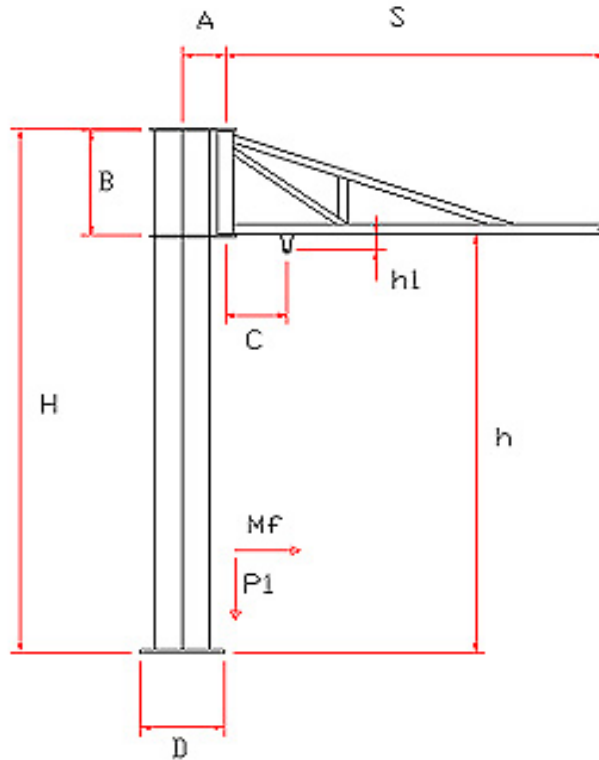
Tel. +44 (0) 1926 813111 - Fax. +44 (0) 1926 815599
E-mail. Sales@niko-ltd.co.uk - Web. www.niko-ltd.co.uk



Profile Jib Crane – Floor Mounted

POBF

Over-Braced, manual rotation



SWL (kg)	S (m)	Arm Type	Column Type	Dimensions							Weights & Forces			
				H(m)	h(mm)	h1(mm)	A(mm)	B(mm)	C(mm)	D(mm)	Mf (kg.m)	P1 (kg)	Arm (kg)	Column (kg/m)
80	2	24.J500-2	A	3	2494	70	190	500	200	450	240	342	30	48
	3	24.J500-3	B	3	2494	70	230	500	200	450	360	382	40	58
	4	24.J600-4	B	3	2394	70	230	600	280	450	540	394	52	58
	5	25.J900-5	B	3	2094	80	230	900	280	450	738	437	95	58
	6	25.J1000-6	B/C	3	1994	80	230/260	1000	360	450	927	547	109	82
125	2	25.J500-2	A/B	3	2494	80	190/230	500	200	450	351	425	38	58
	3	25.J500-3	B	3	2494	80	230	500	200	450	546	438	51	58
	4	25.J600-4	B	3	2394	80	230	600	280	450	757	453	66	58
	5	25.J900-5	B/C	3	2094	80	230/260	900	280	450/600	1019	610	95	90
	6	25.J1000-6	B/C	3	1994	80	230/260	1000	360	450/600	1265	624	109	90
250	2	25.J500-2	B	3	2494	80	230	500	200	450	663	560	38	58
	3	25.J600-3	B/C	3	2394	80	230/260	600	200	450/600	1019	704	54	90
	4	26.J800-4	C	3.5	2696	102	260	800	280	600	1432	768	91	86
	5	26.J900-5	C	3.5	2594	102	260	900	280	600	1848	791	114	86
	6	26.J1000-6	C/D	3.5	2494	102	260/315	1000	375	600	2271	944	132	116
500	2	26.J800-2	C	3.5	2694	102	260	800	200	600	1305	992	55	86
	3	26.J800-3	C	3.5	2694	102	260	800	200	600	1982	1008	71	86
	4	27.J900-4	D	3.5	2594	193	315	900	295	600	2772	1208	136	116
	5	27.J1000-5	D	3.5	2494	193	315	1000	295	600	3545	1240	168	116
	6	27.J1100-6	D	3.5	2394	193	315	1100	375	700	4335	1294	195	122
1000	2	27.J900-2	C/D	3.5	2594	193	260/315	900	215	600/700	2583	1692	83	122
	3	27.J900-3	D	3.5	2594	193	315	900	215	700	3912	1717	108	122
	4	27.J1000-4	D/E	3.5	2494	193	315/385	1000	295	700	5268	1820	134	139



Tel. 01926 813111
 Fax. 01926 815599
 E-mail. Sales@niko-ltd.co.uk
 Web. www.niko-ltd.co.uk

Profile Jib Crane – Floor Mounted

POBF

Over-Braced, manual rotation

SWL (Kg)	S (m)	Arm Type	Column Type	H (m)	Price GBP (£)	H (m)	Price GBP (£)	H (m)	Price GBP (£)	Anchor Frame *	Large Base *
80	2	24.J500-2	AAA	3	943	3.5	980	4	1,017	169	89
	3	24.J500-3	BBB	3	1,088	3.5	1,135	4	1,183	169	89
	4	24.J600-4	BBB	3	1,137	3.5	1,184	4	1,231	169	89
	5	25.J900-5	BBB	3	1,276	3.5	1,323	4	1,371	169	89
	6	25.J1000-6	BBC	3	1,333	3.5	1,380	4	1,731	169	89
125	2	25.J500-2	ABB	3	991	3.5	1,125	4	1,172	169	89
	3	25.J500-3	BBB	3	1,142	3.5	1,190	4	1,237	169	89
	4	25.J600-4	BBB	3	1,207	3.5	1,255	4	1,302	169	89
	5	25.J900-5	BBC	3	1,276	3.5	1,323	4	1,675	199	179
	6	25.J1000-6	BCC	3	1,333	3.5	1,656	4	1,731	199	179
250	2	25.J500-2	BBB	3	1,078	3.5	1,125	4	1,172	169	89
	3	25.J600-3	BBC	3	1,133	3.5	1,180	4	1,539	199	179
	4	26.J800-4	CCC	3.5	1,636	4	1,711	4.5	1,787	199	179
	5	26.J900-5	CCC	3.5	1,664	4	1,740	4.5	1,815	199	179
500	6	26.J1000-6	CCD	3.5	1,726	4	1,801	4.5	2,320	199	179
	2	26.J800-2	CCC	3.5	1,484	4	1,559	4.5	1,634	199	179
	3	26.J800-3	CCC	3.5	1,548	4	1,623	4.5	1,698	199	179
	4	27.J900-4	DDD	3.5	2,239	4	2,354	4.5	2,468	199	179
	5	27.J1000-5	DDD	3.5	2,270	4	2,384	4.5	2,499	199	179
1000	6	27.J1100-6	DDD	3.5	2,550	4	2,665	4.5	2,779	249	209
	2	27.J900-2	CCD	3.5	1,654	4	1,729	4.5	2,364	249	209
	3	27.J900-3	DDD	3.5	2,236	4	2,350	4.5	2,465	249	209
	4	27.J1000-4	DDE	3.5	2,349	4	2,463	4.5	2,986	249	209

Yellow Powder Coated Finish RAL 08E51 and BS4800 08E51
 Galvanised Finish can be offered as a price on application option.

All Prices Include Electrics Kit, if this is not require price can be reduced by £15.00
 20amp 3ph Electrical Isolators available as an optional extra for £29.00

* An Anchor Frame or Large Base is required on all Jib Cranes over 250kg SWL, 3m Overall Height and 3m Radius



Tel. 01926 813111
Fax. 01926 815599
E-mail. Sales@niko-ltd.co.uk
Web. www.niko-ltd.co.uk

Profile Jib Crane – Wall Mounted

POBW

Over-Braced, manual rotation

SWL (Kg)	S (m)	Arm Type	Price GBP (£)
80	2	24.J500-2	373
	3	24.J500-3	431
	4	24.J600-4	480
	5	25.J900-5	619
	6	25.J1000-6	676
125	2	25.J500-2	421
	3	25.J500-3	476
	4	25.J600-4	550
	5	25.J900-5	619
	6	25.J1000-6	676
250	2	25.J500-2	421
	3	25.J600-3	476
	4	26.J800-4	664
	5	26.J900-5	693
	6	26.J1000-6	754
500	2	26.J800-2	512
	3	26.J800-3	576
	4	27.J900-4	901
	5	27.J1000-5	933
	6	27.J1100-6	1,105
1000	2	27.J900-2	682
	3	27.J900-3	790
	4	27.J1000-4	903

Wall Mounting Bracket Kit + £85.00 includes:

- Top & bottom pivot pin plates (requires drilling)

Column Mounting Bracket Kit + £170.00 includes:

- Top & bottom pivot pin plates (require drilling)
- Top & bottom rear support plates (requires drilling)
- Threaded rod & studding

Yellow Powder Coated Finish RAL 08E51 and BS4800 08E51

Galvanised Finish can be offered as a price on application option.

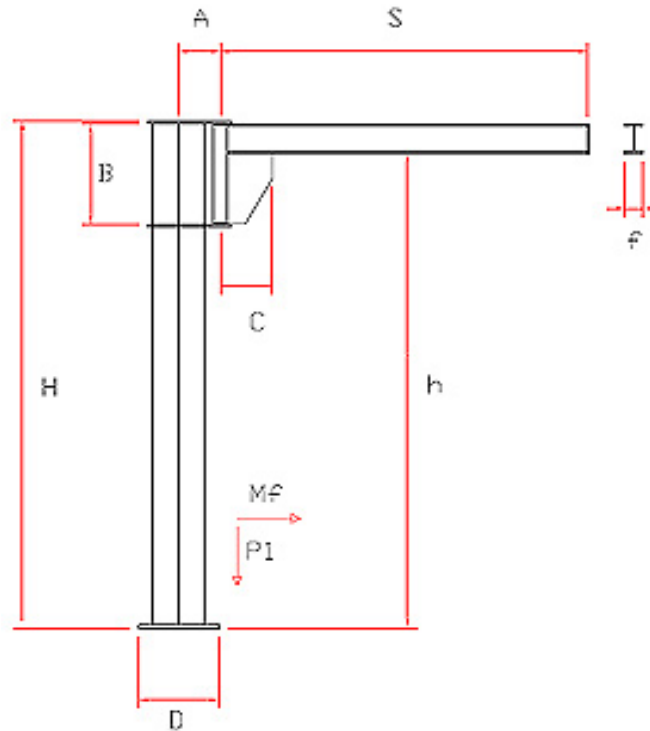
All Prices Include Electrics Kit, if this is not require price can be reduced by £15.00

20amp 3ph Electrical Isolators available as an optional extra for £29.00

I-Beam Jib Crane – Floor Mounted

IUBF

Under-Braced, manual rotation



SWL (kg)	S (m)	Arm Type	Column Type	Dimension							Weights & Forces			
				H (m)	h (mm)	A (mm)	B (mm)	C (mm)	D (mm)	f (mm)	Mf (kg.m)	P1 (kg)	Arm (kg)	Column (kg/m)
80	2	UB1.J600-2	A/B	3	2792	190/230	600	450	450	102	278	380	78	48
	3	UB1.J600-3	B	3	2792	230	600	500	450	102	449	401	99	48
	4	UB1.J600-4	B	3	2792	230	600	550	450	102	640	422	120	48
	5	UB2.J600-5	B/C	3	2767	230/260	600	600	450/600	102	903	583	161	78
	6	UB3.J750-6	C	3	2767	260	750	650	600	133	1317	661	239	78
125	2	UB1.J600-2	B	3	2792	230	600	450	450	102	391	425	78	48
	3	UB1.J600-3	B	3	2792	230	600	500	450	102	618	446	99	48
	4	UB2.J600-4	B/C	3	2767	230/260	600	550	450/600	102	899	604	137	78
	5	UB2.J600-5	C	3	2767	260	600	600	600	102	1184	628	161	78
	6	UB3.J750-6	C	3	2767	260	750	650	600	133	1655	706	239	78
250	2	UB2.J600-2	B	3	2767	230	600	450	450	102	711	568	86	48
	3	UB2.J600-3	C	3	2767	260	600	500	600	102	1103	712	110	78
	4	UB4.J600-4	C	3.5	3216	260	600	550	600	102	1566	777	158	73
	5	UB4.J750-5	C	3.5	3216	260	750	600	600	102	1985	788	196	73
	6	UB5.J850-6	C/D	3.5	3165	260/315	850	650	600	127	2922	1166	349	117
500	2	UB4.J600-2	C	3.5	3216	260	600	450	600	102	1352	981	102	73
	3	UB4.J750-3	C/D	3.5	3216	260/315	750	500	600	102	2085	1217	140	117
	4	UB5.J850-4	D	3.5	3165	315	850	550	600	127	3004	1329	252	117
	5	UB5.J850-5	D	3.5	3165	315	850	600	700	127	3880	1406	302	123
	6	UB5.J850-6	D/E	3.5	3165	315/385	850	650	700	127	4809	1529	353	139
1000	2	UB5.J850-2	D	3.5	3165	315	850	450	700	127	2653	1767	153	123
	3	UB5.J850-3	D	3.5	3165	315	850	500	700	127	4056	1818	204	123
	4	UB5.J850-4	E	3.5	3165	385	850	550	700	127	5504	1938	252	139



Tel. 01926 813111
 Fax. 01926 815599
 E-mail. Sales@niko-ltd.co.uk
 Web. www.niko-ltd.co.uk

I-Beam Jib Crane – Floor Mounted

IUBF

Under-Braced, manual rotation

SWL (kg)	S (m)	Arm Type	Column Type	H (m)	Price (£)	H (m)	Price GBP (£)	H (m)	Price GBP (£)	Anchor Base *	Large Base *
80	2	UB1.J600-2	ABB	3	1,052	3.5	1,187	4	1,234	169	89
	3	UB1.J600-3	BBB	3	1,217	3.5	1,264	4	1,311	169	89
	4	UB1.J600-4	BBB	3	1,284	3.5	1,331	4	1,378	169	89
	5	UB2.J600-5	BCC	3	1,408	3.5	1,731	4	1,807	199	179
	6	UB3.J750-6	CCC	3	1,835	3.5	1,910	4	1,985	199	179
125	2	UB1.J600-2	BBB	3	1,139	3.5	1,187	4	1,234	169	89
	3	UB1.J600-3	BBB	3	1,217	3.5	1,264	4	1,311	169	89
	4	UB2.J600-4	BBC	3	1,338	3.5	1,386	4	1,737	199	179
	5	UB2.J600-5	CCC	3	1,656	3.5	1,731	4	1,807	199	179
	6	UB3.J750-6	CCC	3	1,835	3.5	1,910	4	1,985	199	179
250	2	UB2.J600-2	BBB	3	1,142	3.5	1,189	4	1,237	169	89
	3	UB2.J600-3	CCC	3	1,492	3.5	1,797	4	1,872	199	179
	4	UB4.J600-4	CCC	3.5	1,722	4	1,797	4.5	1,872	199	179
	5	UB4.J750-5	CCC	3.5	1,800	4	1,875	4.5	1,950	199	179
500	6	UB5.J850-6	CCD	3.5	2,126	4	2,201	4.5	2,720	199	179
	2	UB4.J600-2	CCC	3.5	1,503	4	1,578	4.5	1,653	199	179
	3	UB4.J750-3	CCD	3.5	1,610	4	1,685	4.5	2,226	199	179
	4	UB5.J850-4	DDD	3.5	2,241	4	2,356	4.5	2,470	199	179
	5	UB5.J850-5	DDD	3.5	2,472	4	2,587	4.5	2,701	249	209
1000	6	UB5.J850-6	DEE	3.5	2,606	4	3,049	4.5	3,203	249	209
	2	UB5.J850-2	DDD	3.5	2,075	4	2,189	4.5	2,304	249	209
	3	UB5.J850-3	DDD	3.5	2,209	4	2,324	4.5	2,439	249	209
	4	UB5.J850-4	EEE	3.5	2,644	4	2,799	4.5	2,953	249	209

Yellow Powder Coated Finish RAL 08E51 and BS4800 08E51
 Galvanised Finish can be offered as a price on application option.

All Prices Included Electrics Kit, if this is not require price can be reduced by £15.00
 20amp 3ph Electrical Isolators available as an optional extra for £29.00

* An Anchor Frame or Large Base is required on all Jib Cranes over 250kg SWL, 3m Overall Height and 3m Radius



Tel. 01926 813111
 Fax. 01926 815599
 E-mail. Sales@niko-ltd.co.uk
 Web. www.niko-ltd.co.uk

I-Beam Jib Crane – Wall Mounted

IUBW

Under-Braced, manual rotation

SWL (Kg)	S (m)	Arm Type	Price GBP (£)
80	2	UB1.J600-2	457
	3	UB1.J600-3	535
	4	UB1.J600-4	612
	5	UB2.J600-5	726
	6	UB3.J750-6	910
125	2	UB1.J600-2	457
	3	UB1.J600-3	535
	4	UB2.J600-4	656
	5	UB2.J600-5	726
	6	UB3.J750-6	910
250	2	UB2.J600-2	460
	3	UB2.J600-3	559
	4	UB4.J600-4	702
	5	UB4.J750-5	794
	6	UB5.J850-6	1,120
500	2	UB4.J600-2	498
	3	UB4.J750-3	604
	4	UB5.J850-4	870
	5	UB5.J850-5	986
	6	UB5.J850-6	1,120
1000	2	UB5.J850-2	589
	3	UB5.J850-3	723
	4	UB5.J850-4	870

Wall Mounting Bracket Kit + £85.00 includes:

- Top & bottom pivot pin plates (requires drilling)

Column Mounting Bracket Kit + £170.00 includes:

- Top & bottom pivot pin plates (require drilling)
- Top & bottom rear support plates (requires drilling)
- Threaded rod & studding

Yellow Powder Coated Finish RAL 08E51 and BS4800 08E51

Galvanised Finish can be offered as a price on application option.

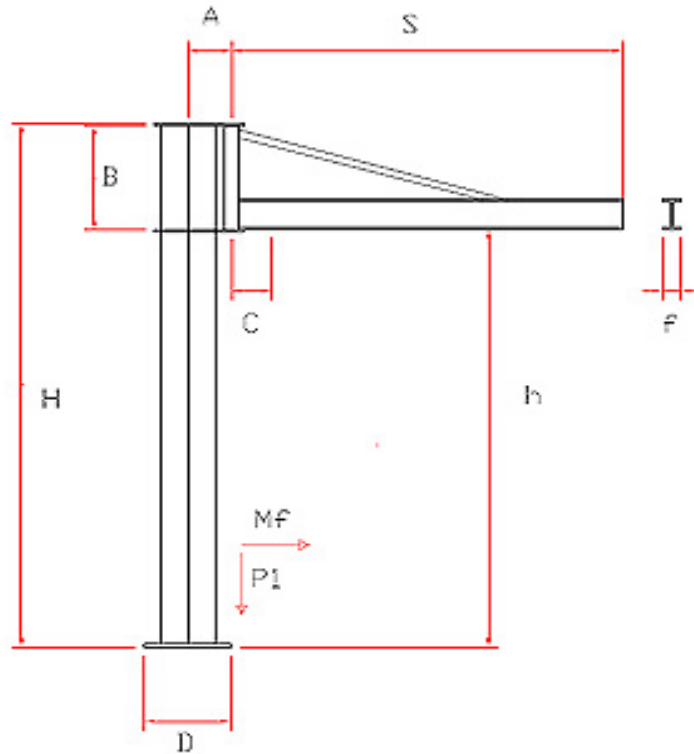
All Prices Include Electrics Kit, if this is not require price can be reduced by £15.00

20amp 3ph Electrical Isolators available as an optional extra for £29.00

I-Beam Jib Crane – Floor Mounted

IOBF

Over-Braced, manual rotation



SWL(kg)	S (m)	Arm Type	Column Type	Dimensions							Weights & Forces			
				H (m)	h (mm)	A (mm)	B (mm)	C (mm)	D (mm)	f (mm)	Mf (kg.m)	P1 (kg)	Arm (kg)	Column (kg/m)
80	3	OB1..J600-3	B	3	2394	230	600	120	450	102	428	339	85	48
	4	OB1..J600-4	B	3	2394	230	600	180	450	102	614	361	107	48
	5	OB1..J600-5	B	3	2394	230	600	240	450	102	825	384	130	48
	6	OB1..J600-6	B/C	3	2394	230/260	750	300	450/600	102	1053	495	151	78
125	3	OB1..J600-3	B	3	2394	230	600	120	450	102	597	384	85	48
	4	OB1..J600-4	B	3	2394	230	600	180	450	102	839	406	107	48
	5	OB1..J600-5	B/C	3	2394	230/260	600	240	450/600	102	1107	519	130	78
	6	OB1..J600-6	C	3	2394	260	750	300	600	102	1391	540	151	78
250	3	OB1..J600-3	B/C	3	2394	260/260	600	120	450/600	102	1065	609	85	78
	4	OB1..J600-4	C	3.5	2894	260	600	180	600	102	1464	653	107	73
	5	OB1..J750-5	C	3.5	2744	260	750	240	600	102	1900	681	135	73
	6	OB2..J850-6	C/D	3.5	2644	260/315	850	300	600	102	2424	883	183	117
500	3	OB2..J850-3	C	3.5	2744	260	750	120	600	102	2033	911	105	73
	4	OB2..J850-4	C/D	3.5	2644	260/315	850	180	600	102	2762	1091	131	117
	5	OB2..J850-5	D	3.5	2644	315	850	240	600	102	3518	1117	157	117
	6	OB2..J850-6	D	3.5	2644	315	850	300	700	102	4299	1164	183	123
1000	3	OB2..J850-3	D	3.5	2644	315	850	120	700	102	3908	1596	105	123
	4	OB2..J850-4	D/E	3.5	2644	315/385	850	180	700	102	5262	1678	131	139



Tel. 01926 813111
 Fax. 01926 815599
 E-mail. Sales@niko-ltd.co.uk
 Web. www.niko-ltd.co.uk

I-Beam Jib Crane – Floor Mounted

IOBF

Over-Braced, manual rotation

SWL (Kg)	S (m)	Arm Type	Column Type	H (m)	Price GBP (£)	H (m)	Price GBP (£)	H (m)	Price GBP (£)	Anchor Frame *	Large Base *
80	3	OB1.J600-3	BBB	3	1,157	3.5	1,204	4	1,252	169	89
	4	OB1.J600-4	BBB	3	1,249	3.5	1,296	4	1,343	169	89
	5	OB1.J600-5	BBB	3	1,313	3.5	1,360	4	1,407	169	89
	6	OB1.J600-6	BCC	3	1,389	3.5	1,650	4	1,725	199	179
125	3	OB1.J600-3	BBB	3	1,157	3.5	1,204	4	1,252	169	89
	4	OB1.J600-4	BBB	3	1,249	3.5	1,296	4	1,343	169	89
	5	OB1.J600-5	BCC	3	1,313	3.5	1,563	4	1,638	199	179
	6	OB1.J600-6	CCC	3	1,575	3.5	1,650	4	1,725	199	179
250	3	OB1.J600-3	BCC	3	1,157	3.5	1,410	4	1,485	199	179
	4	OB1.J600-4	CCC	3.5	1,510	4	1,586	4.5	1,661	199	179
	5	OB1.J750-5	CCC	3.5	1,576	4	1,651	4.5	1,726	199	179
	6	OB2.J850-6	CDD	3.5	1,770	4	1,125	4.5	1,240	199	179
500	3	OB2.J850-3	CCC	3.5	1,518	4	1,593	4.5	1,668	199	179
	4	OB2.J850-4	CDD	3.5	1,617	4	2,097	4.5	2,211	199	179
	5	OB2.J850-5	DDD	3.5	2,053	4	2,167	4.5	2,282	199	179
	6	OB2.J850-6	DDD	3.5	2,251	4	2,366	4.5	2,480	249	209
1000	3	OB2.J850-3	DDD	3.5	1,998	4	2,113	4.5	2,227	249	209
	4	OB2.J850-4	DDE	3.5	2,097	4	2,212	4.5	2,694	249	209

Yellow Powder Coated Finish RAL 08E51 and BS4800 08E51
 Galvanised Finish can be offered as a price on application option.

All Prices Included Electrics Kit, if this is not require price can be reduced by £15.00
 20amp 3ph Electrical Isolators available as an optional extra for £29.00

* An Anchor Frame or Large Base is required on all Jib Cranes over 250kg SWL, 3m Overall Height and 3m Radius



Tel. 01926 813111
Fax. 01926 815599
E-mail. Sales@niko-ltd.co.uk
Web. www.niko-ltd.co.uk

I-Beam Jib Crane – Wall Mounted

IOBW

Over-Braced, manual rotation

SWL (Kg)	S (m)	Arm Type	Price GBP (£)
80	3	OB1..J600-3	475
	4	OB1..J600-4	555
	5	OB1..J600-5	631
	6	OB1..J600-6	695
125	3	OB1..J600-3	475
	4	OB1..J600-4	555
	5	OB1..J600-5	631
	6	OB1..J600-6	695
250	3	OB1..J600-3	475
	4	OB1..J600-4	555
	5	OB1..J750-5	636
	6	OB2..J850-6	753
500	3	OB2..J850-3	716
	4	OB2..J850-4	599
	5	OB2..J850-5	682
	6	OB2..J850-6	753
1000	3	OB2..J850-3	516
	4	OB2..J850-4	599

Wall Mounting Bracket Kit + £85.00 includes:

- Top & bottom pivot pin plates (requires drilling)

Column Mounting Bracket Kit + £170.00 includes:

- Top & bottom pivot pin plates (require drilling)
- Top & bottom rear support plates (requires drilling)
- Threaded rod & studding

Yellow Powder Coated Finish RAL 08E51 and BS4800 08E51

Galvanised Finish can be offered as a price on application option.

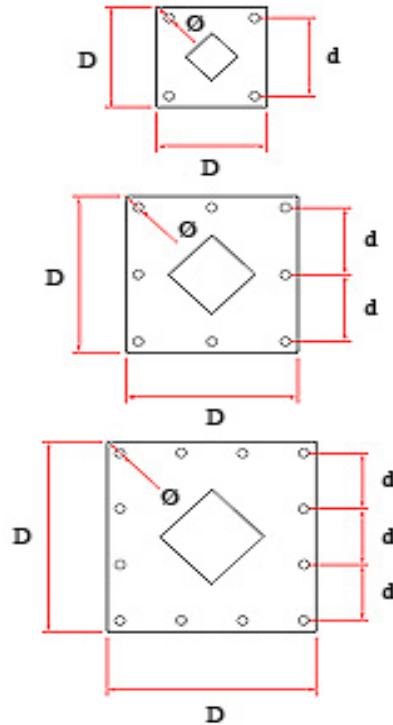
All Prices Include Electrics Kit, if this is not require price can be reduced by £15.00

20amp 3ph Electrical Isolators available as an optional extra for £29.00

Pillar Jib Base Plates

J-BASE

Counter plates for fixing Jib pillars to concrete floor



	J-BASE450	J-BASE600	J-BASE700	J-BASE850
D (mm)	450	600	700	850
d (mm)	380	255	300	250
No. Holes	4	8	8	12
Hole Ø (mm)	20	25	30	30
Min Thickness of Floor (mm)	200	240	325	325
Bolt Size	M16	M20	M24	M24
Diameter of Hole in Floor (mm)	18	25	28	28
Depth of Hole in Floor (mm)	170	210	285	285

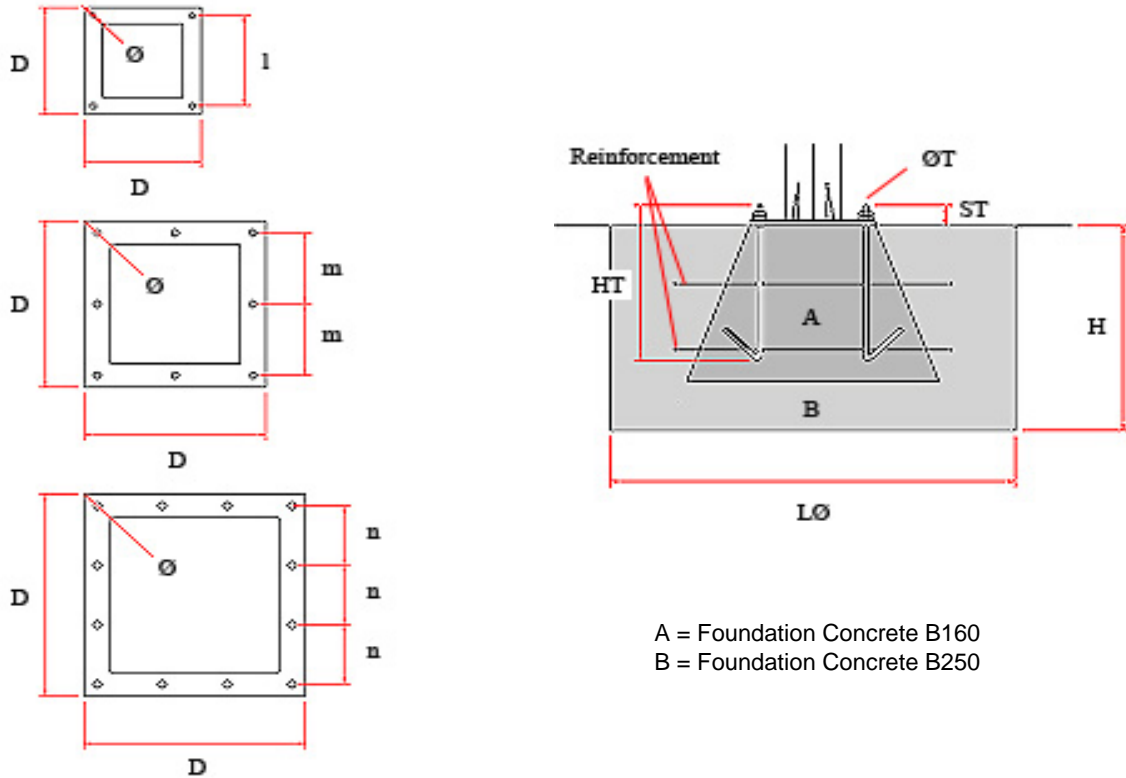
These dimensions are recommended minimums for all Niko Jibs. Alternative dimensions for non standard floors are available upon request.

For large base applications use the next size up from standard. Eg. Where a J-BASE600 would normally be used, a J-BASE700 will be used.

Pillar Jib Anchor Frames

C

Anchor Frame to set into concrete plinth and fix Jib base



	C450	C600	C700	C850
D (mm)	450	600	700	850
l (mm)	380	-	-	-
m (mm)	-	255	300	-
n (mm)	-	-	-	250
Ø (mm)	20	25	27	27
Number of Holes	4	8	8	12
LØ (mm)	1450	1700	1950	2400
H (mm)	800	900	1100	1150
ØT	M16	M22	M24	M24
ST (mm)	80	80	100	100
HT (mm)	700	700	700	700

For anchor frame applications use size that matches jib pillar base size. Eg. Use C600 for a jib with a 600mm x 600mm base plate.

These dimensions are guideline minimums for all Niko jibs. The plinth will have to be calculated according to the real ground consistence and to the maximum pressures allowed by the ground itself.

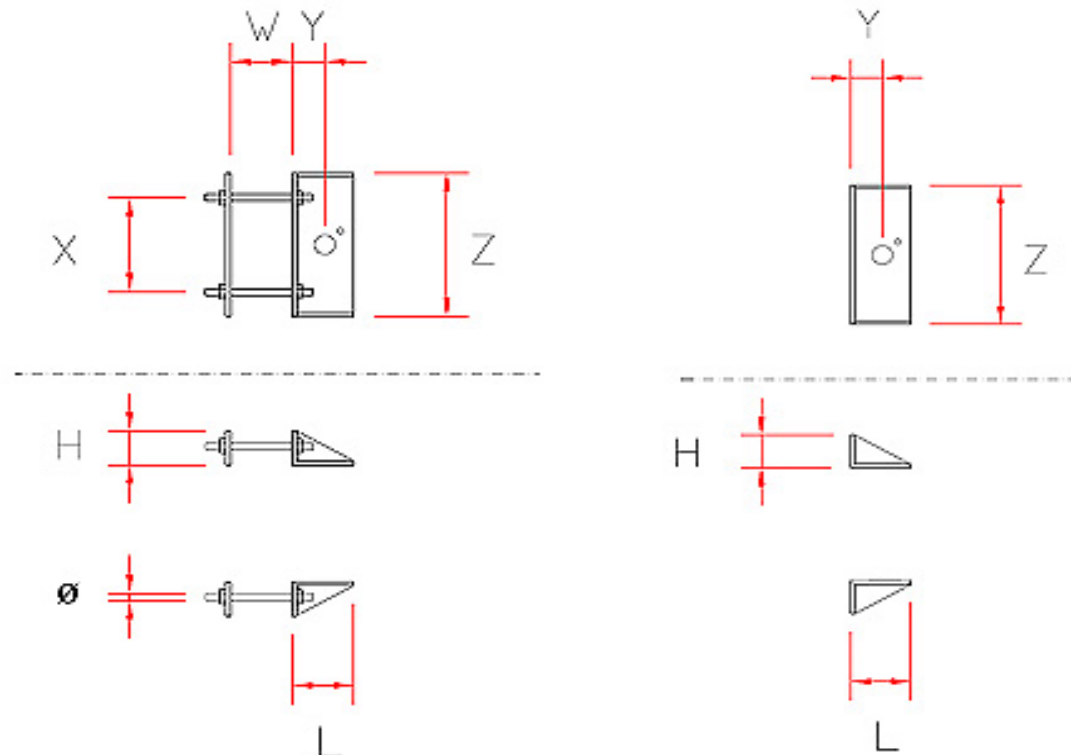
Jib Arm Mounting Bracket Kit

WBK

Suits all types of Niko Jib Arm

Column Mounting Bracket Kit

Wall Mounting Bracket Kit



H = 90mm
 L = 150mm
 Ø = M20*
 W = 800mm Max
 X = 320mm Max
 Y = 75mm
 Z = 380mm

Brackets have a black paint finish.

They are supplied un-drilled and therefore can be adapted to suit existing support structures.
 Non-standard bracket kits can be offered as a price on application option.

* May be supplied with smaller threaded rod for lightweight Jibs where M20 is not required.